



1mm Standard Edge Connectors have been developed specifically to meet the interconnection requirements for the latest technological advances in personal computers. These include Intel's Pentium II™ processor (Slot 1), Accelerated Graphics Port (AGP), and the new NLX Form Factor motherboard.

FEATURES:
 • 1mm contact spacing compatible with latest interconnection technology for Slot 1, AGP and NLX
 • High temperature housings suitable for surface mount reflow processes
 • Pivoting board lock feature offering connector centering before contacts enter PCB board holes
 • Certified by Canadian Standards

Association to Canadian and United States Requirements • Produced under a Quality Management System certified to ISO 9001

PERFORMANCE CHARACTERISTICS:
 • **Operating Temp.:** 0°C to 85°C • **Voltage:** 250 VAC
 • **Characteristic Impedance:** 35-20-80 ohms • **Ter-**

mination Resistance: 20mΩ max. (initial) • **Insulation Resistance:** 1000MΩ min. • **Dielectric Withstanding Voltage:** 400VAC @ sea level • **Durability:** 50 cycles min. • **Engaging Force:** 3.3 oz. (.917 N) max. average per contact pair • **Separating Force:** 1.98 to .35 oz. (.550 to .097N) per contact pair

A

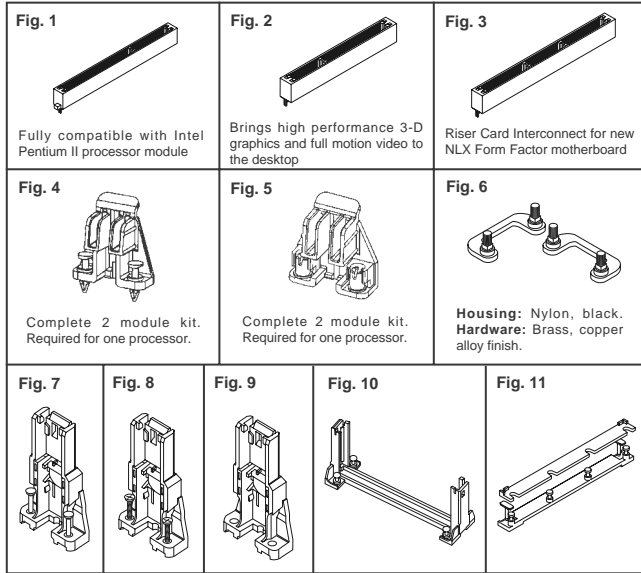
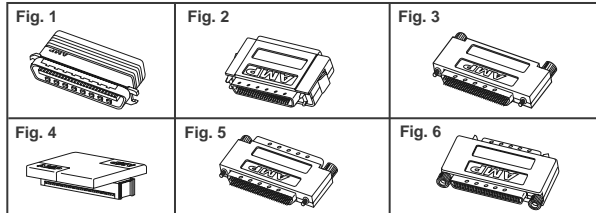


Fig.	Description	Solder Tail Length	Digi-Key Part No.	Price Each 1 25	AMP Part No.
<i>1mm Standard Edge Connector</i>					
1	242 Pos. Slot 1 Connector for Pentium II and Celeron processors	.100 (2.54)	A15102-ND	5.07 4.54	145251-2
2	124 Pos. AGP (Accelerated Graphics Port) Connector for AGP card.	.085 (2.16) .100 (2.54)	A15103-ND A15263-2	3.67 3.29 3.67 3.29	145263-1 145263-2
3	340 Pos. NLX Riser Card Interconnect	.100 (2.16)	A15106-ND	11.47 10.28	145275-2
<i>Celeron Retention Modules</i>					
4	Module Kit w/Fastex plastic fasteners, 2 pieces		A15107-ND	3.57 1.79	145333-1
5	Module Kit w/Captive brass Fasteners, 2 pieces (Use with 145312-1 Bridge/Stud Assembly)		A15108-ND	5.39 2.70	145342-1
6	Bridge/Stud Assembly for #145342-1. One bridge/stud assembly required for each retention module		A15109-ND	2.55 1.54	145312-1
<i>Universal Retention Modules (URM)</i>					
7	URM w/Straight pin plastic fasteners. Compatible with .159" (4.04mm) holes. 2 pieces		A15115-ND	2.06 1.18	145417-2
8	URM w/screw down fasteners. Compatible with .140 (3.56mm) or .159" (4.04mm) holes. 2 pieces		A15116-ND	2.06 1.18	145418-2
9	URM w/Clearance hole for #6 screw. Customer supplies fastener hardware. 2 pieces		A15117-ND	2.06 1.18	145419-2
<i>Integrated Retention Modules</i>					
10	Pentium II Retention Module w/Fastex plastic fasteners		A15113-ND	5.22 2.61	145327-1
10	Pentium II Retention Module w/Slotted, captive nuts		A15118-ND	6.87 3.44	145286-1
<i>Heat Sink Support Kit</i>					
11	Heat Sink Support Base with plastic fasteners for use with Integrated Retention Module #145327-1		A15114-ND	6.55 3.28	145308-1

SCSI Terminators

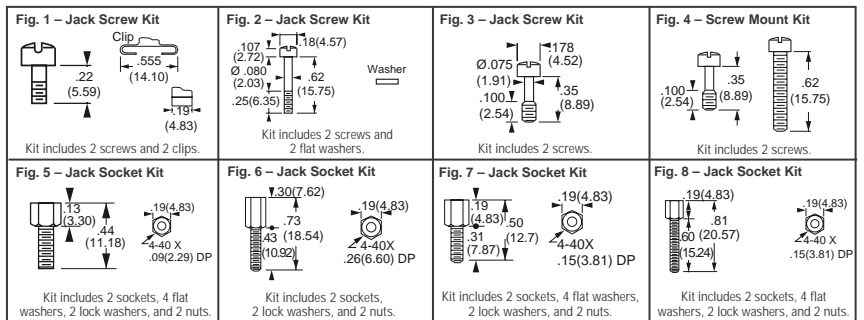


SCSI TYPES:
Single-Ended: Allows up to 5 megabytes per second. **A. Passive:** 220/330Ω; for lower data transmission rates • Termination of each signal consists of 220Ω to Term Power Line and 330Ω to ground • 36 resistors • Ideal impedance match, 132Ω **B. Active:** Also referred to as "Regulated" or "Boulay". These terminators include a voltage regulator along with resistors and capacitors. They support applications requiring longer cable lengths and faster data transmission rates. • Eighteen 110Ω resistors • 3 or more capacitors • 2 voltage reference resistors • One voltage regulator
Differential: Allows up to 10 megabytes per second, cable lengths up to 25 meter • Requires more powerful drivers than single-ended • Ideal impedance match, 122Ω
Force Perfect: Use with near non-SCSI applications wherein the larger bandwidth and faster risetimes create special problems; compensates for variances by averaging the impedance mismatches through diode switching and biasing techniques. Circuitry: Thick film resistors and/or discreet components on aluminum substrate or plastic laminate
Active Negation: Used by SCSI-2 and SCSI-3 Drivers and Receivers in single ended active applications to help ensure clean, noise-free transitions of the signals. These terminators can source as well as sink current, thereby maintaining voltage control.

Fig.	No. of Pos.	Description	Digi-Key Part No.	Price Each 1 25	AMP Part No.
<i>Single Ended Passive</i>					
1	50	CHAMP™ style plug, mate w/ .085" (2.16mm) center-line SCSI-1	A15032-ND	34.87 28.20	556578-1
2	50	AMPLIMITE™ .050" (1.27mm) series plug; "A" cable SCSI-2, Low Profile, ABS	A15036-ND	31.04 27.80	750881-1
2	50	AMPLIMITE™ .050" (1.27mm) series plug; "A" cable SCSI-2, Zinc	A23538-ND	43.64 35.29	749535-2
<i>Single Ended Active</i>					
2	50	AMPLIMITE™ .050" (1.27mm) series plug; "A" cable SCSI-2, Zinc	A23540-ND	57.55 46.54	750381-1
2	50	AMPLIMITE™ .050" (1.27mm) series plug; "A" cable SCSI-2, Low Profile, ABS	A15037-ND	49.56 44.38	869546-1
3	68	AMPLIMITE™ .050" (1.27mm) series plug; "P&Q" cable SCSI-3	A15039-ND	46.87 41.97	869516-1
5	68	Plug feed-thru to 68 position receptacle	A15043-ND	83.24 67.30	869684-1
6	68	Receptacle feed-thru to 50 position plug	A15045-ND	68.22 55.16	869680-1
<i>Differential</i>					
1	50	CHAMP™ style plug, mate w/ .085" (2.16mm) center-line SCSI-1	A15033-ND	71.96 58.18	555867-1
2	50	AMPLIMITE™ .050" (1.27mm) series plug; "A" cable SCSI-2	A15038-ND	54.83 44.33	869545-1
3	68	AMPLIMITE™ .050" (1.27mm) series plug; "P&Q" cable SCSI-3	A15040-ND	38.06 34.08	869515-1
5	68	Plug feed-thru to 68 position receptacle	A15044-ND	78.68 70.46	869682-1
6	68	Receptacle feed-thru to 50 position plug	A15046-ND	60.72 49.10	869678-1
2	50	AMPLIMITE™ .050" (1.27mm) series plug; "A" cable SCSI-2	A23539-ND	54.97 44.45	749541-1
3	68	AMPLIMITE™ .050" (1.27mm) series plug; "P&Q" cable SCSI-2	A23542-ND	43.76 35.38	750897-1
<i>Force Perfect</i>					
3	68	.050" (1.27mm) Series Plug	A23541-ND	44.53 36.01	869867-1
<i>Active Negation Compatible</i>					
4	68	.025" (.64mm) center-line ribbon cable SCSI-3	A15041-ND	33.80 30.27	869705-1
4	68	.050" (1.27mm) center-line ribbon cable SCSI-3	A24211-ND	42.02 33.98	869725-1
<i>Unterminated</i>					
6	68	Receptacle feed-thru to 50 position plug	A15047-ND	65.68 53.11	869686-1

3M D-Sub Mounting Hardware

Fig.	Description	Digi-Key Part No.	Price Each 1 100 500	3M Part No.
1	Jack Screw Kit	MDVS22-ND	1.00 .76 .69	3342-1
2	Jack Screw Kit	MDVS62-ND	1.04 .79 .72	3342-2
3	Jack Screw Kit	MDVS35-ND	.71 .54 .49	3342-4
4	Screw Mount Kit	MDSMK1-ND	.79 .61 .55	3342-3
5	Jack Socket Kit	MDVS44-ND	1.77 1.35 1.22	3341-1S
6	Jack Socket Kit	MDVS73-ND	1.60 1.22 1.11	3341-2
7	Jack Socket Kit	MDVS50-ND	1.77 1.35 1.22	3341-1L
8	Jack Socket Kit	MDVS81-ND	1.85 1.41 1.28	3341-4



More Product Available Online: www.digikey.com

Toll-Free: 1-800-344-4539 • Phone: 218-681-6674 • Fax: 218-681-3380